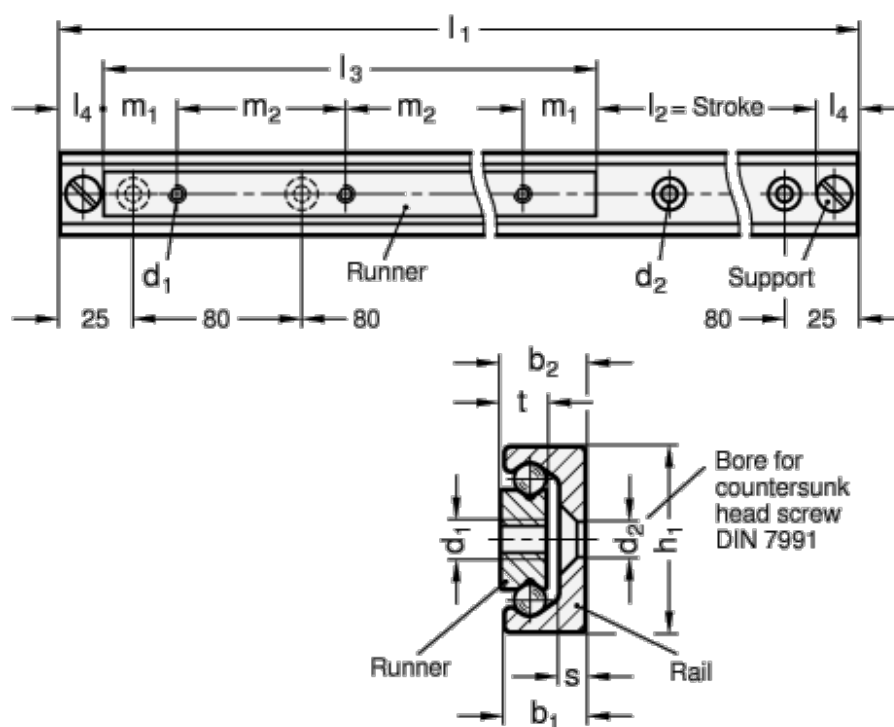


Article number: 20240235130450

Description: E+G Lear motion bearings GN 2402-35-130-450

Measures



b1	= 16.5	m1	= 25
b2	= 17	m2	= 80
d1	= M6	s	= 3.5
d2	= 6.5	t	= 10
h1	= 35	Weight in (g)	= 1135
L1	= 274 - 450		
L3	= 130		
L4 max	= 23		